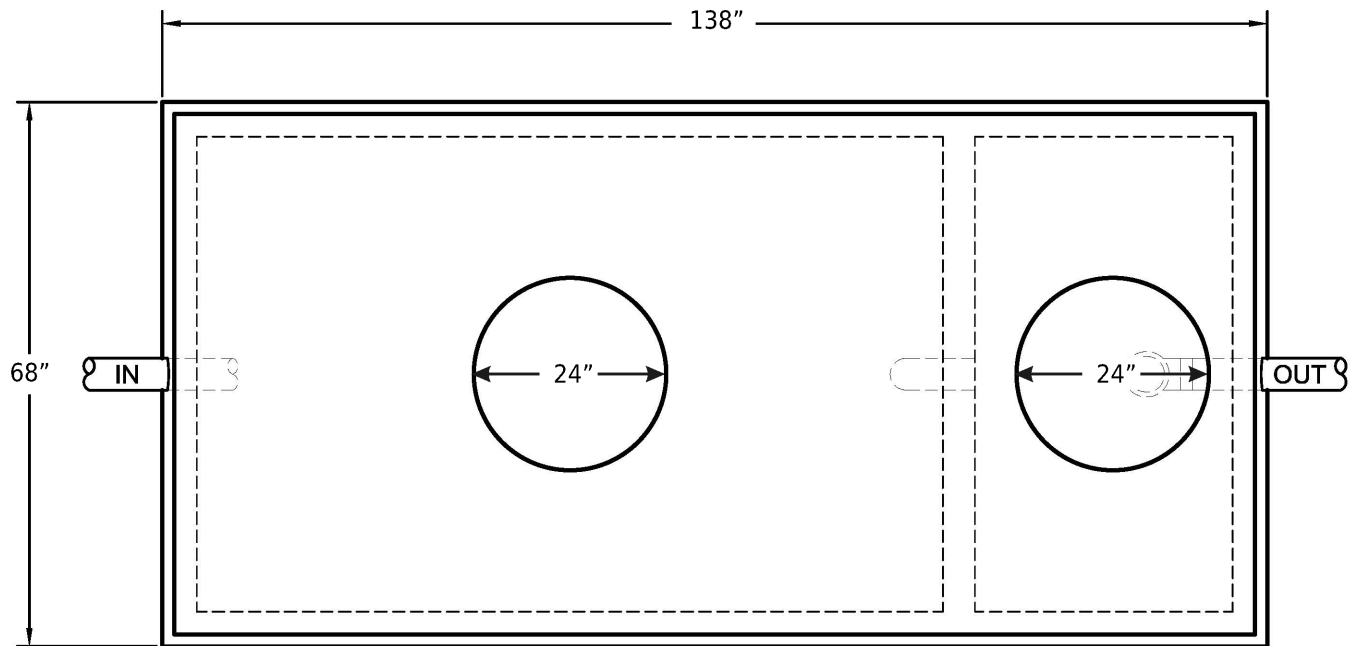


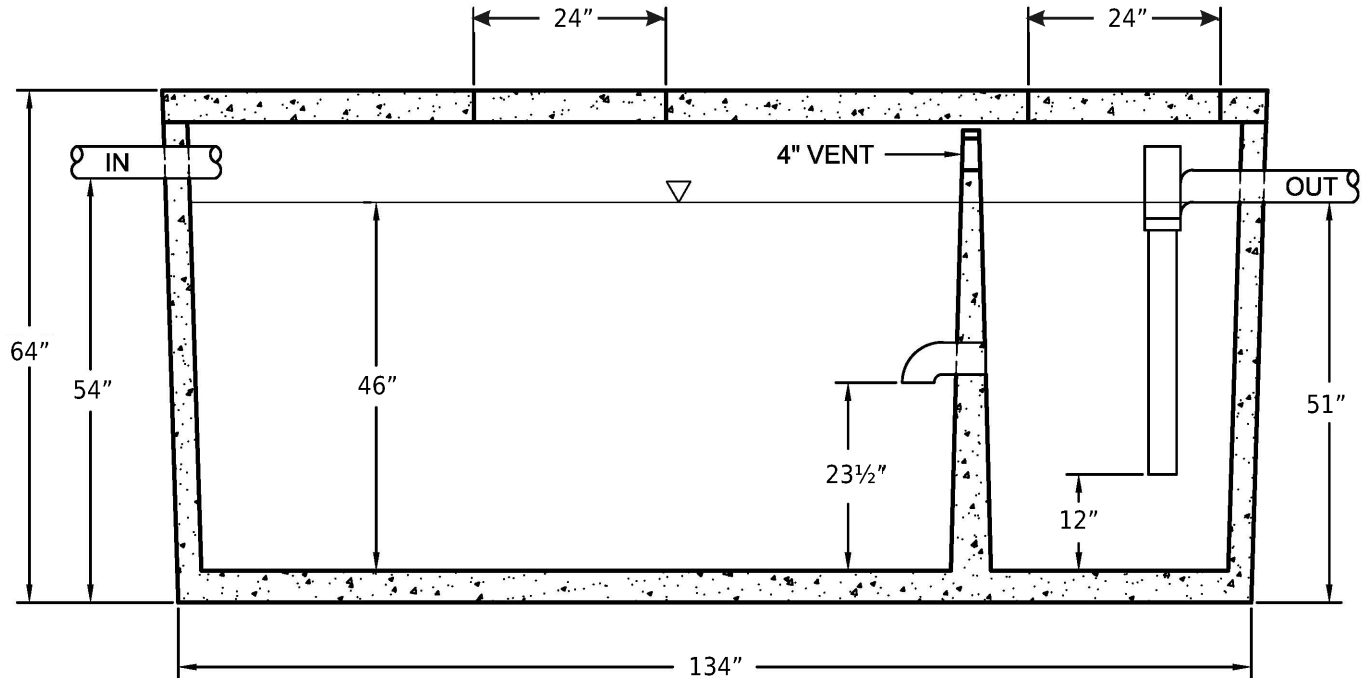


MONTANA PRE-CAST
CONCRETE LLC

**1500 GALLON SAND/OIL
INTERCEPTOR WITH TRAFFIC LID**



PLAN VIEW



SECTION VIEW

DESIGN NOTES

1. Concrete: 4,500 psi @ 28 days
2. Meets or Exceeds State DEQ and Local Requirements
3. 1-Piece Construction with Mastic Sealant - ASTM C990
4. Tank Requires PVC Tee on Outlet

SCALE: 1/2" = 1'-0"